

*SHENZHEN WINZIP  
HARDWARE CO., LTD.*





## CATALOGUE 目录

DISC BRAKE.....01-05

MTB.....06-11

ROAD.....12-14

FREE STYLE.....15-16

E - BIKE ..... 17

ACCESSORIES.....18

BRAKE PADS.....19

APPENDIX.....20-24



# HYDRAULIC DISC BRAKE

WinZip



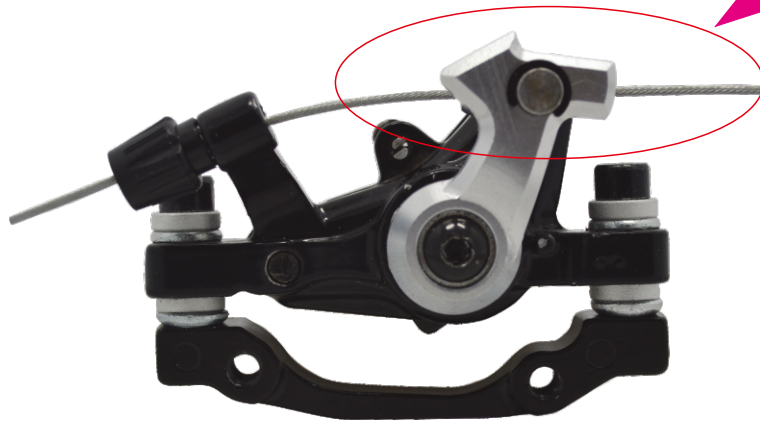
Win-750D

- 系统开放式：双缸活塞, 自动回弹, 油压碟刹。
- 横推式：气缸体手柄, 易于组装, 调整油量。
- 卡钳主体：铝合金主体, 采用双缸双油槽。
- 自动回弹功能。
- 方便拆卸来令片。





## DISC BRAKE



### M2-Q-1614, 1816 快调式锁线

Single cam single synchronous actuation closure.  
Dual micro tension adjusters.

M2-Q1614 : Fits front  $\phi$  160mm / Rear  $\phi$  140mm

M2-Q1816 : Fits front  $\phi$  180mm / Rear  $\phi$  160mm

单缸单动双微调碟刹

M2-Q1614: 适用于前轮  $\phi$  160mm碟盘 / 后轮  $\phi$  140mm 碟盘

M2-Q1816: 适用于前轮  $\phi$  180mm碟盘 / 后轮  $\phi$  160mm 碟盘

M2-Q 为快调式锁线



### M2-P1614, P1816

Single cam single synchronous actuation closure.  
Dual micro tension adjusters.

M2-P1614 : Fits front  $\phi$  160mm / Rear  $\phi$  140mm

M2-P1816 : Fits front  $\phi$  180mm / Rear  $\phi$  160mm

单缸单动双微调碟刹

M2-P1614: 适用于前轮  $\phi$  160mm碟盘 / 后轮  $\phi$  140mm 碟盘

M2-P1816: 适用于前轮  $\phi$  180mm碟盘 / 后轮  $\phi$  160mm 碟盘

## DISC BRAKE

WinZip



### MGX-Q1614, MGX-Q1816 快调式锁线

Hi-output Single cam dual synchronous actuation closure.

(Worldwide patent)

Dual micro tension adjusters.

MGX-Q1614 : Fits front  $\varnothing$  160mm / Rear  $\varnothing$  140mm

MGX-Q1816 : Fits front  $\varnothing$  180mm / Rear  $\varnothing$  160mm

双缸双动双微调碟刹

MGX-Q1614: 适用于前轮  $\varnothing$  160mm碟盘 / 后轮  $\varnothing$  140mm 碟盘

MGX-Q1816: 适用于前轮  $\varnothing$  180mm碟盘 / 后轮  $\varnothing$  160mm 碟盘

M2-Q 为快调式锁线



### MGX-P1614, MGX-P1816

Hi-output Single cam dual synchronous actuation closure.

(Worldwide patent)

Dual micro tension adjusters.

MGX-P1614 : Fits front  $\varnothing$  160mm / Rear  $\varnothing$  140mm

MGX-P1816 : Fits front  $\varnothing$  180mm / Rear  $\varnothing$  160mm

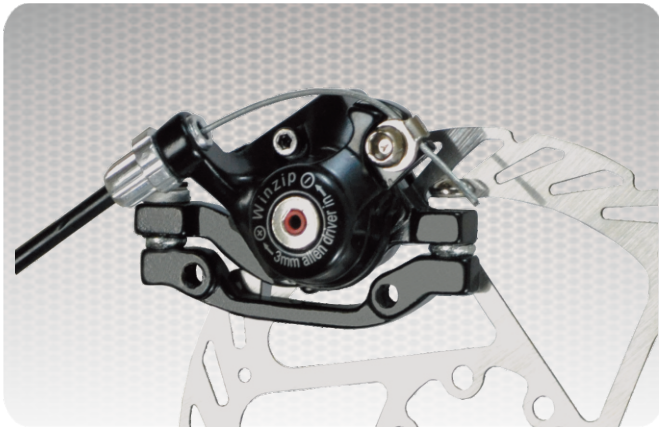
双缸双动双微调碟刹

MGX-P1614: 适用于前轮  $\varnothing$  160mm碟盘 / 后轮  $\varnothing$  140mm 碟盘

MGX-P1816: 适用于前轮  $\varnothing$  180mm碟盘 / 后轮  $\varnothing$  160mm 碟盘方



## DISC BRAKE



### MM-P1614, MM-P1816

Single cam dual synchronous actuation closure.  
(Worldwide patent)

Dual micro tension adjusters .

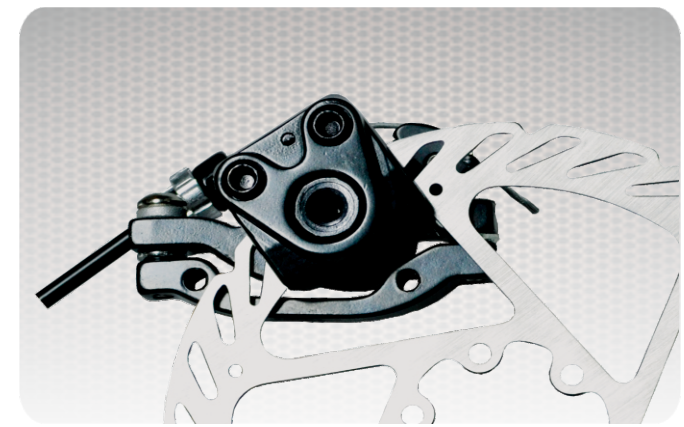
MM-P1614 : Fits front  $\varnothing$  160mm / Rear  $\varnothing$  140mm

MM-P1816 : Fits front  $\varnothing$  180mm / Rear  $\varnothing$  160mm

单缸双动双微调碟刹

MM-P1614: 适用于前轮  $\varnothing$  160mm碟盘 / 后轮  $\varnothing$  140mm 碟盘

MM-P1816: 适用于前轮  $\varnothing$  180mm碟盘 / 后轮  $\varnothing$  160mm 碟盘



### CE-P1614, CE-P1816

Single cam dual synchronous actuation closure.  
(Worldwide patent)

Single micro tension adjuste.

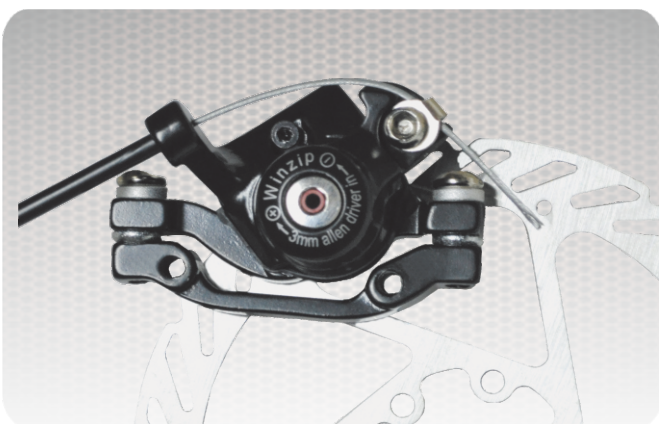
CE-P1614 : Fits front  $\varnothing$  160mm / Rear  $\varnothing$  140mm

CE-P1816 : Fits front  $\varnothing$  180mm / Rear  $\varnothing$  160mm

单缸双动单微调碟刹

CE-P1614: 适用于前轮  $\varnothing$  160mm碟盘 / 后轮  $\varnothing$  140mm 碟盘

CE-P1816: 适用于前轮  $\varnothing$  180mm碟盘 / 后轮  $\varnothing$  160mm 碟盘



# DISC BRAKE



## RO-P1614, RO-P1816

Single cam single synchronous actuation closure.  
Dual micro tension adjusters.

RO-P1614 : Fits front  $\varnothing$  160mm / Rear  $\varnothing$  140mm

RO-P1816 : Fits front  $\varnothing$  180mm / Rear  $\varnothing$  160mm

单缸单动双微调碟刹

RO-P1614: 适用于前轮  $\varnothing$  160mm碟盘 / 后轮  $\varnothing$  140mm 碟盘

RO-P1816: 适用于前轮  $\varnothing$  180mm碟盘 / 后轮  $\varnothing$  160mm 碟盘



## DS-P1614, DE-P1816

Single cam single synchronous actuation closure.  
Dual micro tension adjusters.

DE-P1614 : Fits front  $\varnothing$  160mm / Rear  $\varnothing$  140mm

DE-P1816 : Fits front  $\varnothing$  180mm / Rear  $\varnothing$  160mm

单缸单动双微调碟刹

DE-P1614: 适用于前轮  $\varnothing$  160mm碟盘 / 后轮  $\varnothing$  140mm 碟盘

DE-P1816: 适用于前轮  $\varnothing$  180mm碟盘 / 后轮  $\varnothing$  160mm 碟盘



## SE-P1614, SE-P1816

Single cam single synchronous actuation closure.  
Dual micro tension adjusters.

SE-P1614 : Fits front  $\varnothing$  160mm / Rear  $\varnothing$  140mm

SE-P1816 : Fits front  $\varnothing$  180mm / Rear  $\varnothing$  160mm

单缸单动双微调碟刹

SE-P1614: 适用于前轮  $\varnothing$  160mm碟盘 / 后轮  $\varnothing$  140mm 碟盘

SE-P1816: 适用于前轮  $\varnothing$  180mm碟盘 / 后轮  $\varnothing$  160mm 碟盘





MTB



**WB-850D/DG**

85mm Aluminum casting alloy V-brake  
Linear spring w/tension adjusters  
85mm 铝合金V夹器  
D为塑胶调整座  
DG为铝合金调整座



**WB-982D/DG**

110 mm Aluminum casting alloy V-brake  
Linear spring tension adjuster.  
110mm 铝合金V夹器  
D为塑胶调整座  
DG为铝合金调整座



**WB-980D/DG/DQ**

90mm Aluminum casting alloy V-brake  
Linear spring w/tension adjusters  
90mm 铝合金V夹器  
D为塑胶调整座  
DG为铝合金调整座  
DQ为快调式锁线



**WB-981D/DG**

100 mm Aluminum casting alloy V-brake  
Linear spring w/tension adjusters  
100mm 铝合金V夹器  
D为塑胶调整座  
DG为铝合金调整座。



**WB-984D/DG**

110mm Aluminum casting alloy V-brake  
Linear spring w/tension adjusters  
110mm 铝合金V夹器  
D为塑胶调整座  
DG为铝合金调整座

# MTB



## WL-215D

215D: Aluminum casting alloy bracket and lever  
2.5 Finger  
215D:全铝手把  
2.5指



## WL-219D/C

219D: Aluminum casting alloy bracket and lever  
219C: Plastic bracket and alloy lever  
2.5 Finger.  
219D:全铝手把/219C:半铝手把  
2.5指



## WL-218D/C

218D: Aluminum casting alloy bracket and lever  
218C: Plastic bracket and alloy lever  
2.5 Finger  
218D:全铝手把/218C:半铝手把  
2.5指



## WL-219DG

219DG: Aluminum casting alloy bracket and lever.  
2.5 Finger.  
219DG全铝手把  
2.5指

Winzip

MTB



**WB-986D/DG**

110mm Aluminum casting alloy V-brake  
 Linear spring w/tension adjusters  
 110mm 铝合金V夹器  
 D为塑胶调整座  
 DG为铝合金调整座

**WB-989D/DG**

115mm Aluminum casting alloy V-brake  
 Linear Spring w/tension adjuster  
 115mm 铝合金V夹器  
 D为塑胶调整座  
 DG为铝合金调整座



**N700AQ**



臂长: 76mm  
 轮圈间距: 22mm  
 PIVT间距: 61mm  
 上下限: 40mm ±5mm  
 AQ为快调式锁线



**WB-987D/DG/DQ**

110mm Aluminum casting alloy V-brake  
 Linear spring w/tension adjusters  
 115mm 铝合金V夹器  
 D为塑胶调整座  
 DG为铝合金调整座  
 DG为快调锁线  
 DQ为快调锁线

**WB-991D/DG**

110mm Aluminum casting alloy V-brake  
 Linear spring w/tension adjusters  
 110mm 铝合金V夹器  
 D为塑胶调整座  
 DG为铝合金调整座



# MTB



## WL-322D/C

322D: Aluminum casting alloy bracket and lever.  
322C: Plastic bracket and casting alloy lever.  
2.5 Finger  
322D:全铝手把 / 322C:半铝手把  
2.5 指



## WL-325D/C

325D: Aluminum casting alloy bracket and lever.  
325C: Plastic bracket and casting alloy lever.  
3.0 Finger  
325D:全铝手把 / 325C:半铝手把  
3.0 指



## WL-324D/C/P

324D: Aluminum casting alloy bracket and lever  
324C: Plastic bracket and casting alloy lever  
324P: Plastic bracket and Plastic lever  
2.5 Finger  
324D:全铝手把 / 324C:半铝手把 / 324P:全塑手把  
2.5 指



## WL-328D/C

328D: Aluminum casting alloy bracket and lever.  
328C: Plastic bracket and casting alloy lever.  
3.0 Finger  
328D:全铝手把 / 328C:半铝手把  
3.0 指



**WL-338D/C**

338D: Aluminum casting alloy bracket and lever  
 338C: Plastic bracket and alloy lever  
 3 Finger  
 338D:全铝手把 / 338C:半铝手把  
 3 指



**WL-345D**

345D: Aluminum casting alloy bracket and lever  
 3.0 Finger  
 345D:全铝手把  
 3.0 指



**WL-220D**

220D: Aluminum casting alloy bracket and lever  
 3.0 Finger  
 220D:全铝手把  
 3.0 指



**WL-342D/C**

342D: Aluminum casting alloy bracket and lever  
 342C: Plastic bracket and casting alloy lever  
 3.0 Finger  
 342D:全铝手把 / 342C:半铝手把  
 3.0 指



**WL-348D/C/P**

348D: Aluminum casting alloy bracket and lever  
 348C: Plastic bracket and casting alloy lever  
 348P: Plastic bracket and Plastic lever with steel insert  
 4.0 Finger  
 348D:全铝手把/348C:半铝手把 / 348P:全塑手把  
 4.0 指

# MTB



## WL-349DG

349D: Aluminum casting alloy bracket and lever  
4.0 Finger  
349D:全铝手把  
4.0 指



## WL-219DG

219DG: Aluminum casting alloy bracket and lever.  
3.0 Finger.  
219DG全铝手把  
3.0 指



## WL-70AQ/WL-70A

Aluminum casting alloy bracket and Aluminum casting lever  
70AQ W/ one touch lock-pin  
70A W/O one touch lock-pin  
3 finger type Side pull brake lever  
全铝手把  
70AQ含锁杆  
70A 不含锁杆



## WL-318D/C

318D: Aluminum casting alloy bracket and lever  
318C: Plastic bracket and casting alloy lever  
2.5 Finger  
318D:全铝手把 / 318C:半铝手把  
2.5指



## WL-346D

346D: Aluminum casting alloy bracket and lever  
4.0 Finger  
346D:全铝手把  
4.0 指



**N500D/N500DQ**

Aluminum casting alloy caliper brake

Dimension : 44-57 mm

铝合金跑车夹器

N500D: 不含快调锁线

N500DQ: 含快调锁线



**N810D/N810DQ**

Aluminum casting alloy caliper brake

Dimension : 62-82 mm

N810D : W/O quick release mechanism

N810DG : W/ quick release mechanism

铝合金跑车夹器

N810D : 不含快拆扳杆

N810DQ : 含快调锁线



**N630D/N630DQ**

Aluminum casting alloy caliper brake

Dimension : 49-64 mm

N630D : W/O quick release mechanism

N630DG : W/ quick release mechanism

铝合金跑车夹器

N630D : 不含快拆扳杆

N630DQ : 含快调锁线



**WB-910D/WB-910DQ**

Aluminum casting alloy caliper brake.

Dimension:65-85mm.

WB-910D : W/O quick release mechanism

WB-910DQ : W/ quick release mechanism

铝合金侧拉夹器

WB-910D : 不含快拆扳杆

WB-910DQ : 含快调锁线

# ROAD



## WL-205D

Auxiliary brake lever for road cycle cross  
With reach adjuster  
Forged Aluminum lever  
Design for  $\varnothing$  22.2mm,  $\varnothing$  23.8mm OD handlebars  
铝合金跑车用副把手  
适合  $\varnothing$  22.2mm,  $\varnothing$  23.8mm 的车把手



## WL-207AG

Auxiliary brake lever for road cycle cross  
With reach adjuster  
Forged Aluminum lever  
Design for  $\varnothing$  22.2mm,  $\varnothing$  23.8mm OD handlebars  
铝合金跑车用副把手  
适合  $\varnothing$  22.2mm,  $\varnothing$  23.8mm 的车把手



## WL-206AG

Plastic bracket and Forged Aluminum lever  
Internal cable assembly design  
Forged Aluminum lever  
Design for  $\varnothing$  22.2mm,  $\varnothing$  23.8mm OD handlebars  
半铝跑车把手  
 $\varnothing$  22.2mm,  $\varnothing$  23.8mm 的车把手



## WL-208AG

Plastic bracket and Forged Aluminum lever  
Internal cable assembly design  
Forged Aluminum lever  
半铝跑车把手

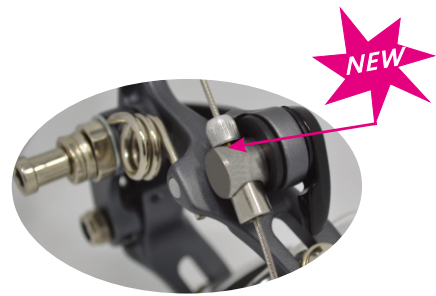


# ROAD



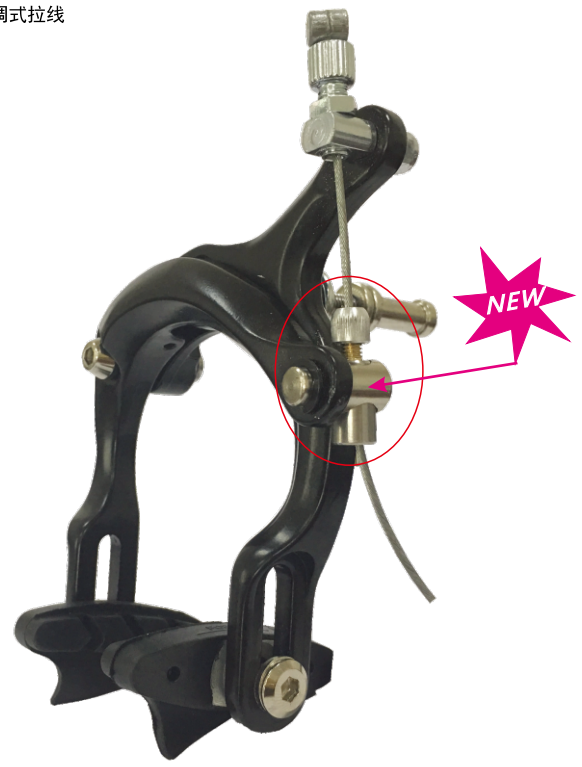
## P400DG-Q

Aluminum casting alloy caliper brake  
 Quick release mechanism  
 Dimension : 39-49 mm  
 铝合金跑车夹器  
 P400DG: 可调式刹车块  
 P400DG-Q: 可调式刹车块, 加快调式拉线  
 P400DQ: 快调式锁线



## P420DG-Q

Aluminum casting alloy caliper brake  
 Quick release mechanism  
 Dimension : 47-59 mm  
 铝合金跑车夹器  
 P420DG: 可调式刹车块  
 P420DQ: 快调式锁线



## P810DG/P810DQ

Aluminum casting alloy caliper brake  
 Quick release mechanism  
 Dimension : 55-72 mm  
 铝合金跑车夹器  
 P810DG: 可调式刹车块  
 P810DQ: 快调式锁线



## P401DG-Q

Aluminum casting alloy caliper brake  
 Quick release mechanism  
 Dimension : 39-49 mm  
 铝合金跑车夹器  
 P401DG: 可调式刹车块  
 P401DQ: 快调式锁线



## P610DG-Q

Aluminum casting alloy caliper brake  
 Quick release mechanism  
 Dimension : 55-72 mm  
 铝合金跑车夹器  
 P610DG: 可调式刹车块  
 P610DQ: 快调式锁线

# FREE STYLE



## WB-857DS

MELT FORGED ALUMINUM ARMS  
Adjustment PLASTIC ADJUSTMENT  
Spring COILED SPRING DESIGN  
铝合金中拉夹器



## UB-950D

Aluminum casting alloy U-brake  
Dimension:33-53mm  
全铝U型夹器



## WL-213D

Aluminum casting alloy bracket and lever.  
2 Finger.  
213D:全铝手把  
2指



## WL-214D/C/P

214D: Aluminum casting alloy bracket and lever.  
214C: Plastic bracket and Casting alloy lever.  
214P: Plastic bracket and Plastic lever with steel insert.  
2.5 Finger.  
214D:全铝手把 / 214C :半铝手把 / 214P: 全塑手把  
2.5指



## WL-217D/C

217D: Aluminum casting alloy bracket and lever.  
217C: Plastic bracket and Casting alloy lever.  
2.5 Finger.  
217D全铝手把 / 217C 半铝手把  
2.5指

WinZip

FREE STYLE



**WL-395DG**

E-Bike  
For use with linear pull brakes  
Cast aluminum bracket & lever  
4 finger lever with kraton rubber grip  
WL-395DG W/ sensor control design.  
WL-395D W/O sensor control design.  
电动车用全铝手把 带铃铛  
断电感应开关  
4指  
WL-395DG 含感应开关  
WL-395D 不含感应开关



# E-BIKE



## WL-390DG/WL-390D

Ergonomic lever design  
 For use with linear pull brakes  
 Cast aluminum bracket & lever  
 4 finger lever with kraton rubber grip  
 WL-390DG W/ sensor control design.  
 WL-390D W/O sensor control design.  
 电动车用全铝手把  
 断电感应开关  
 4指  
 WL-390DG 含感应开关  
 WL-390D 不含感应开关



## WL-392G/WL-392D

Ergonomic lever design  
 For use with linear pull brakes  
 Cast aluminum bracket & lever  
 4 finger lever with kraton rubber grip  
 WL-392DG W/ sensor control design.  
 WL-392D W/O sensor control design.  
 电动车用全铝手把  
 断电感应开关  
 4指  
 WL-392DG 含感应开关  
 WL-392D 不含感应开关



## WL-391DG/WL-391D

Ergonomic lever design  
 For use with linear pull brakes  
 Cast aluminum bracket & lever  
 4 finger lever with kraton rubber grip  
 WL-391DG W/ sensor control design.  
 WL-391D W/O sensor control design.  
 电动车用全铝手把  
 断电感应开关  
 4指  
 WL-391DG 含感应开关  
 WL-391D 不含感应开关



## WL-394DG/WL-394D

Ergonomic lever design  
 For use with linear pull brakes  
 Cast aluminum bracket & lever  
 4 finger lever with kraton rubber grip  
 WL-390DG W/ sensor control design.  
 WL-390D W/O sensor control design.  
 电动车用全铝手把  
 断电感应开关  
 4指  
 WL-390DG 含感应开关  
 WL-390D 不含感应开关

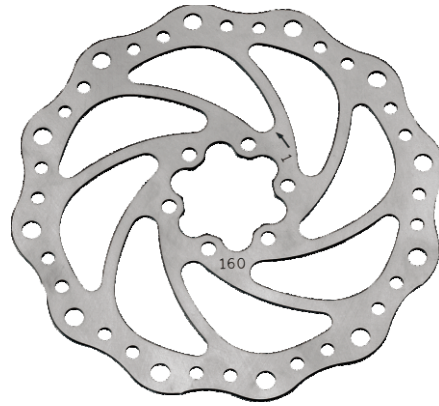




# ACCESSORIES



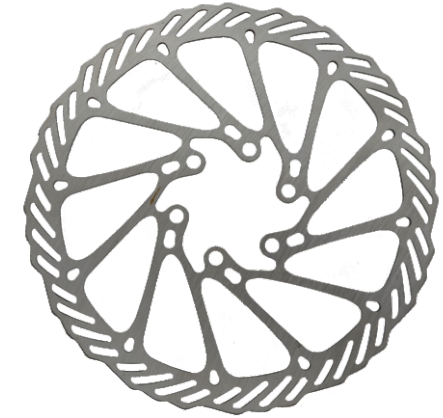
YR-140 YR-160 YR-180 YR-203



WR-140 WR-160 WR-180 WR-203



BR-160



SR-160



### Adapters (转接架)

- MT-P203
- MT-203
- MT-1816
- MT-1614



### 快调锁线

试用于任何锁线产品

M1-28



M1-28  
V-type spring  
来令片弹簧



### M1-29-2

Non-asbestos metal Kevlar compound pad.  
Compatible with SHIMANO Deore mechanic disc brake.  
来令片

ADAPTERS 转接架						
Item No.	Standard	φ 203 mm	φ 180 mm	φ 160 mm	φ 140 mm	Comment
MT-203	F/R					I.S.mounting into I.S.mouting
MT-P203	F		R			Post-mounting into I.S.mouting
MT-1816			F	R		Post-mounting into I.S.mouting
MT-1614				F	R	Post-mounting into I.S.mouting

# BRAD PADS



**984.A11**

◆ Length:45mm



**877.14**

◆ Length:55mm



**877.15**

◆ Length:55mm



**458**

◆ Length:53mm



**860**

◆ Length:60mm



**P-983**

◆ Length:50mm



**MTB-948V**

◆ Length:60mm



**MTB-947**

◆ Hardened aluminum steel post  
◆ Length:70mm  
◆ Available for two-tone color



**MTB-947V**

◆ Length:70mm  
◆ Available for two-tone color



**461C**

◆ 55mm Cartridge brake shoes set  
◆ Aluminum-Pad Holder  
◆ Compatible with Shimano 105 SC,Ultegra & Dura-Ace  
◆ Finish:silver,matt black,ti,carbon anodized  
◆ Triplcolor pad



**MTB-959VC**

◆ Length:72mm  
◆ Color:Black



**MTB-959V**

◆ Length:72mm  
◆ New groove design  
◆ All weather compound  
◆ Color:Black/Red



**450**

◆ Length:50mm  
◆ Road Bike Shoes



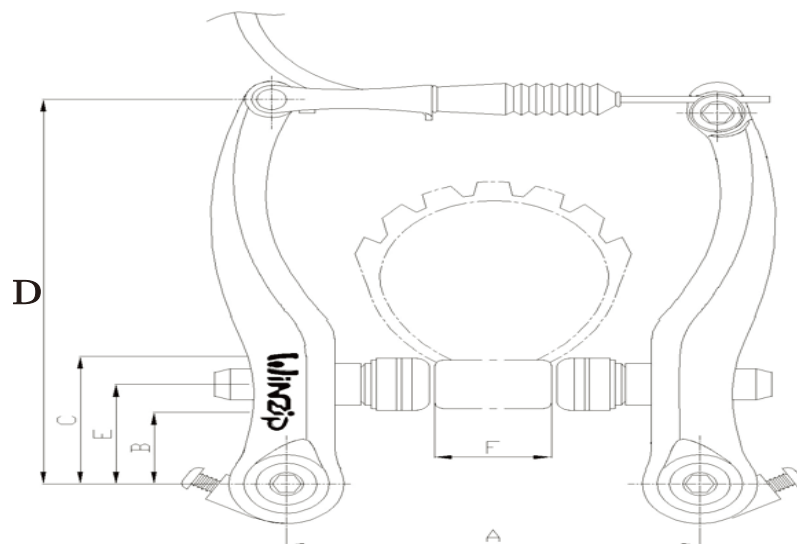
**MTB-945VC**

◆ 72mm Cartridge brake shoes set  
◆ Aluminum-Pad Holder  
◆ Finish:silver,black,titanium anodized,carbon



**MTB-945V**

◆ Length:72mm

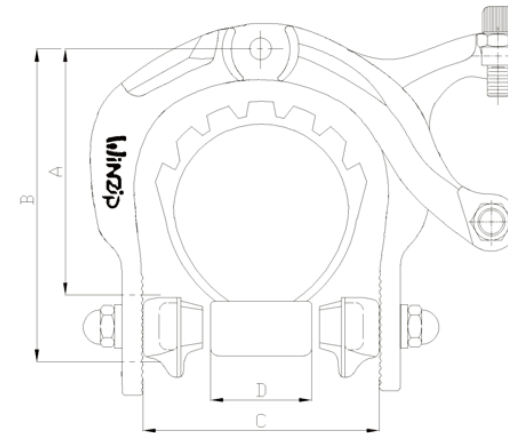


LINEAR PULL BRAKE							
ITEM NO.	DIMENSION (mm)						WEIGHT (g)
	A	B	C	D	E	F	
WB-980D/DG	76±1	22	36	90	29	19±1	156.5
WB-981D/DG	81±1	20.5	36.5	100	28.5	23±1	157.4
WB-982D/DG	81±1	20.5	36.5	110	28.5	23±1	154.3
WB-984D/DG	81±1	20.5	36.5	110	28.5	23±1	156.3
WB-985D/DG	81±1	22	36.5	110	29.3	23±1	158.6
WB-986D/DG	81±1	20.5	36.5	110	28.5	23±1	158
WB-987D/DG	81±1	20.5	36.5	110	28.5	23±1	154
WB-988DS	81±1	19.3	35.3	110	27.3	23±1	158.8
WB-989D/DG	81±1	22	36	115	29	23±1	158.5
WB-990D/DG	81±1	20	36.9	110	28.5	23±1	152.7
WB-991D/DG	81±1	20.5	36.5	110	28.5	23±1	157.7
WB-857DS	81±1	20.2	32.2		26.5	23±1	146
WB-976S	81±1	20.5	38.3	110	29.4	23±1	201.2
WB-979S	81±1	20	37	100	28.5	23±1	186.7
SE-P1614/P1816							208
MDX-P1614/P1816							261
MM-P1614/P1816							249
CE-P1614/P1816							245
WD11-P1614/P1816							228

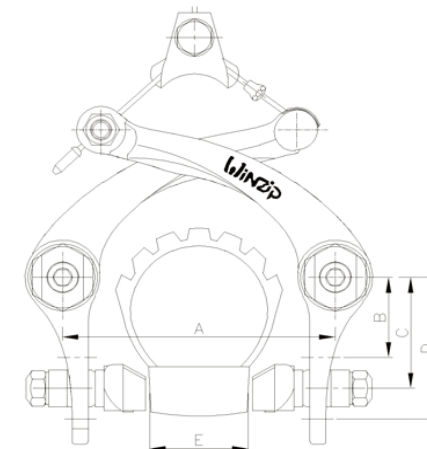
# APPENDIX



ROAD AND SIDE PULL GALIPER					
ITEM NO.	DIMENSION (mm)				WEIGHT (g)
	A	B	C	D	
P400DG	39	49	54	20±1	189
P410DG	42	56	54	20±1	191.8
P420DG	47	59	52	20±1	181
P610DG	55	72	58	23±1	205
N500D	44	57	56	20±1	184
N630D/N630DG	49	64	52	20±1	171
WB-900DQ	68	86.5	65.3	30±1	190
WB-910D/WB-910DQ	68	86	65.3	30±1	184.4
WB-1000SQ	72	92	64	30±1	223

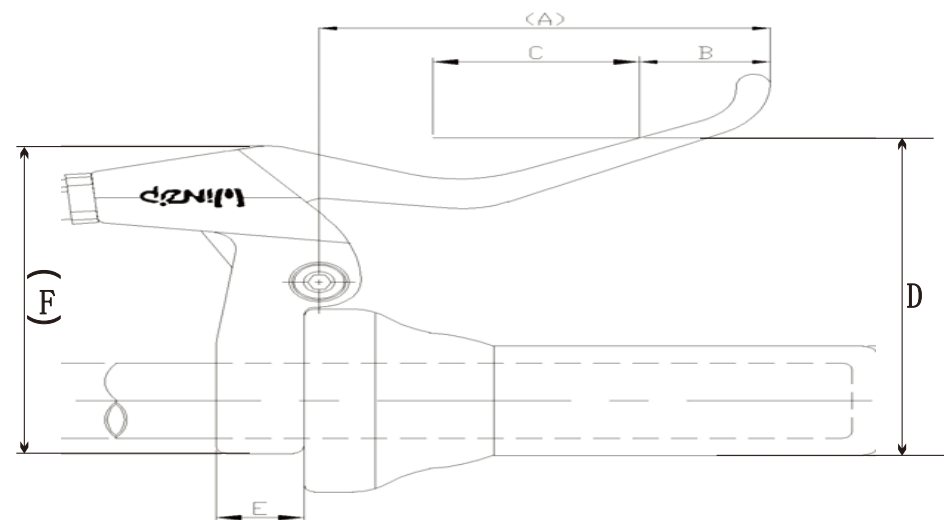


U-BRAKE						
ITEM. NO	DIMENSION (mm)					WEIGHT (g)
	A	B	C	D	E	
UB-935D	86±1	28	38	48	30	196.3
UB-950D	86±1	33	43	53	30	183
UB-951S	86±1	33	43	53	30	214.7

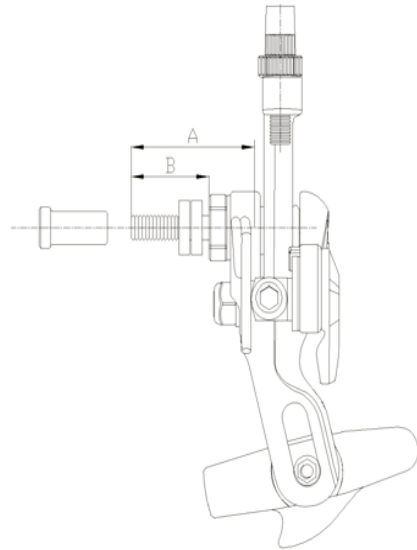


## LEVER

	ITEM. NO	DIMENSION (mm)						WEIGHT (g)	FINGER LENGTH
		A	B	C	D	E	F		
MTB	WL-322D	71	25	40	85.8	17	92	88.8	2.5
	WL-322C	71	25	40	88.9	21	96	85	2.5
	WL-320AG	88	25	40	79	16	91	101.4	2.5
	WL-218D	78.4	25	40	82.6	15.3	94.4	65	2.5
	WL-218C	78.4	25	40	82.6	15.3	94.4	60	2.5
	WL-219D	91	25	40	87.8	15.3	95.5	78.3	3.0
	WL-328D	85.8	25	40	93.7	17	89	90.5	3.0
	WL-328C	87.7	25	40	97	21	95.3	77.5	3.0
	WL-324D	75.8	25	40	86	17	91.8	89	2.5
	WL-324C	75.6	25	40	87.2	20	94	81.3	2.5
WL-324P	85.6	25	40	87.7	20	94	80.5	2.5	
CITY	WL-325D	89.3	25	40	85.7	17	94	91.5	3.0
	WL-325C	89.3	25	40	88.8	21	98.2	91	3.0
	WL-342D	88	25	40	87.5	17	91.7	92	3.0
	WL-342C	88	25	40	87.5	21	92.7	85.6	3.0
	WL-345D	88	25	40	89	17	95	96.4	3.0
	WL-348D	88	25	40	89	15.5	95	96.6	4.0
	WL-348C	98	25	40	94	18	92.3	91.8	4.0
WL-348P	97	25	40	95.8	18	94.4	91	4.0	
ROAD	WL-208AG	104.7	20	40	67.4	15	90.6	140	
	WL-206AG	100.9	20	40	93.6	12	86.6	108	
	WL-205D	74.6	25	40	79.3	17	73.7	64	
	WL-207A	74.6	25	40	77.7	17	74.6	58.5	
KID	WL-318D	75.2	25	40	71.4	17	90	88.8	2.5
	WL-318C	75.2	25	40	70	20	90	75.7	2.5
	WL-338D	86	25	40	78	16	93.6	99.7	3.0
	WL-338C	86	25	40	79	19	90.8	88.2	3.0
	WL-70AQ	85.3	25	40	92.2	22	79.8	96.3	3.0
	WL-70A	85.3	25	40	92.2	22	79.8	88	3.0
EB	WL-390DG	99.4	25	40	88.8	16	86.7	144.3	4.0
	WL-390D	99.4	25	40	88.8	16	86.7	105.8	4.0
	WL-391DG	102.3	25	40	88.3	15	91.5	148.4	4.0
	WL-391D	102.3	25	40	88.3	15	91.5	110	4.0



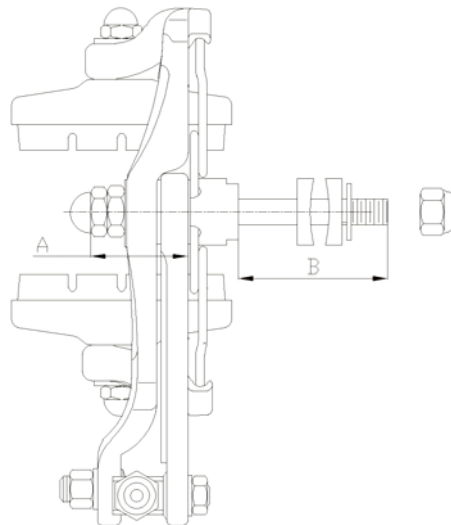
# APPENDIX



## ROAD CALIPER CENTRE BOLT

ITEM NO.	BOLT NO.	TOTAL LENGTH A (mm)	OPERATIVE LENGTH B (mm)
P400DG P410DG P420DG P610DG	400D.32	32L	11
	<b>400D.34</b>	<b>34L</b>	<b>13</b>
	400D.36	36L	15
	400D.50	50L	29
	400D.56	56L	35

## SINGLE PIVOT SIDE PULL CENTRE BOLT

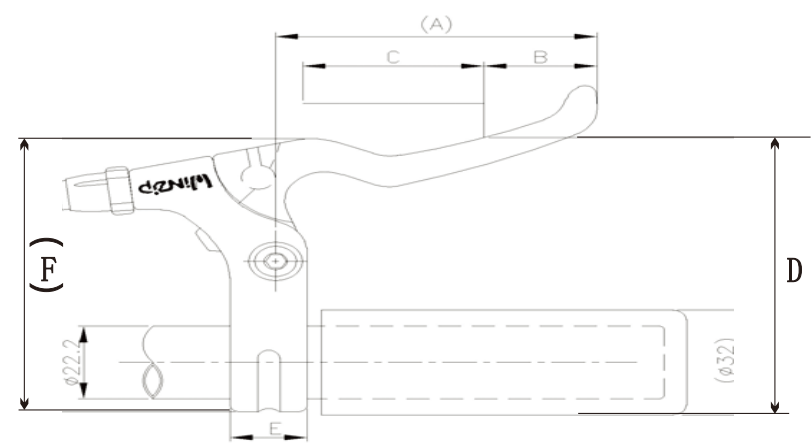


ITEM NO.	BOLT NO.	EFFECTIVE LENGTH OF BOLT A (mm)	TOTAL LENGTH OF BOLT B (mm)
N500D N630D/N630DG WB-900DQ WB-910D/WB-910DQ WB-1000SQ	CENTRE BOLT	24L	M6*15L
			M6*19L
			M6*32L
			M6*36L
			M6*45L
			M6*48L
			M6*51L
			M6*56L



# APPENDIX

## LEVER



	ITEM NO.	DIMENSION (mm)						WEIGHT (g)	FINGER LENGTH
		A	B	C	D	E	F		
BMX	WL-402D	61.3	25	40	81.5	19	85	86.2	2.0
	WL-213D	71.4	25	40	73.6	15.5	79	81.5	2.0
	WL-214D	72	25	40	84.5	18	90	92	2.5
	WL-214C	72	25	40	78	20	92.2	76	2.5
	WL-214P	72	25	40	78	20	92.2	70	2.5
	WL-216D	71	25	40	89.6	20	79	84.8	2.5
	WL-216C	71	25	40	89.6	20	80	77.8	2.5
	WL-217D	68.4	25	40	89.8	18	88	70.4	2.5
	WL-217C	68.4	25	40	89.8	21	89	70	2.5

封3

创新！突破！

解决调线、锁线**难**的难题！



## 深圳盈利浦五金有限公司

大陆公司:

深圳市宝安区沙井街道沙四居委高新科技园K栋

Tel: +86-755-2969-2933 +86-755-2969-2966

Fax: +86-755-2969-2889

E-mail: sz692966@21cn.net

Http: [www.winzip-diskbrake.com](http://www.winzip-diskbrake.com)

台湾公司:

台湾省彰化縣綏西鄉下犁村崁頂路325巷151號

Tel: +886-4-758-8889 Fax: +886-4-758 8727

E-mail: [chosen.twn@msa.hinet.net](mailto:chosen.twn@msa.hinet.net)

Http: [//www.chosen-hubs.com](http://www.chosen-hubs.com)